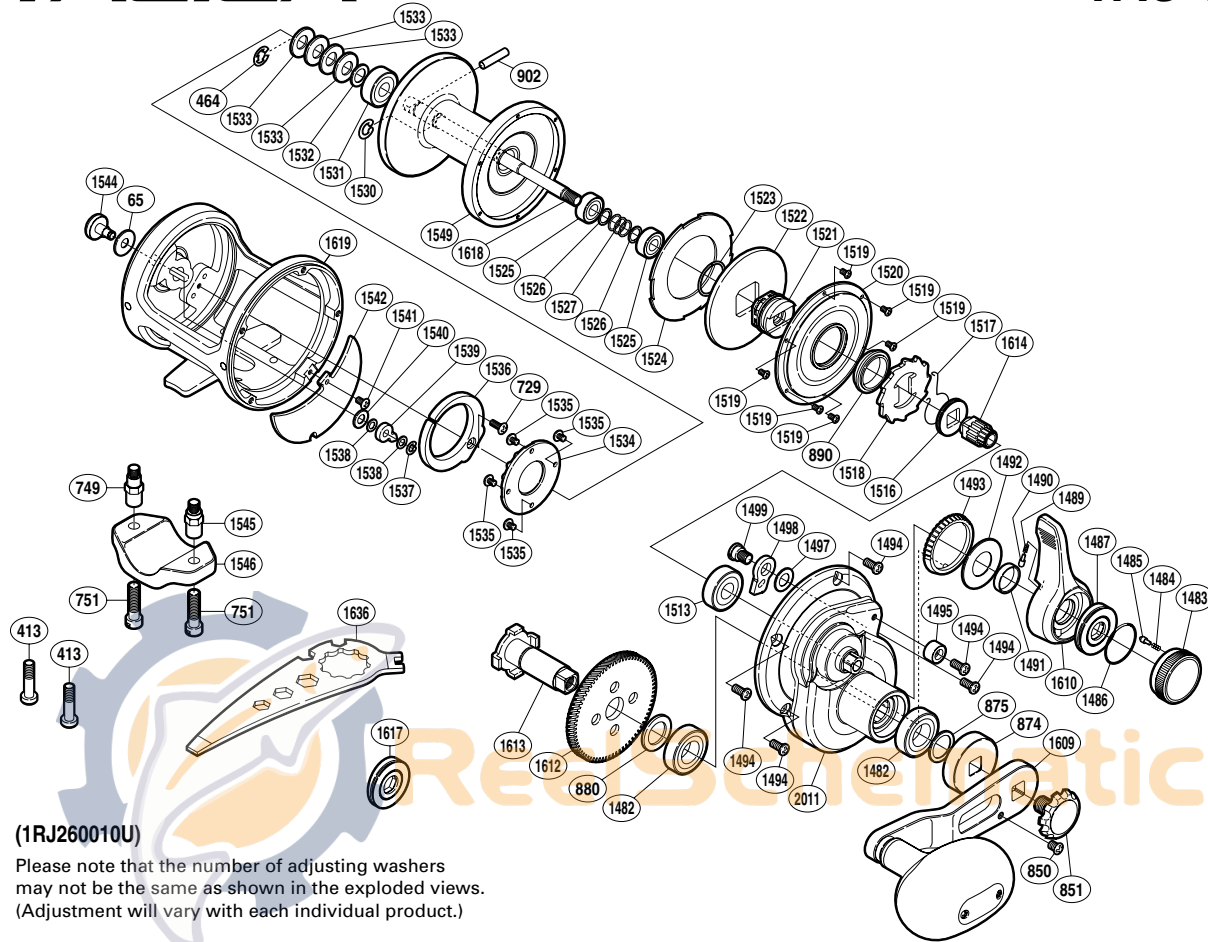


SHIMANO

TALICA S A-RB

TAC-10



(1RJ260010U)

Please note that the number of adjusting washers may not be the same as shown in the exploded views. (Adjustment will vary with each individual product.)

Part No.	Description	Part No.	Description	Part No.	Description
TGT0065	Spacer	TGT1498	Anti-Reverse Pawl	TGT1539	Click Pawl
TGT0464	E Lock	TGT1499	Anti-Reverse Pawl Pin	TGT1540	Spacer
TGT0729	Screw	TGT1513	Ball Bearing	TGT1541	Screw
TGT0850	Screw	TGT1516	Anti-Reverse Pawl Spring Holder	TGT1542	Set Plate
TGT0851	Handle Bolt	TGT1517	Anti-Reverse Pawl Spring	TGT1544	Click Button
TGT0874	Gear Shaft Shield	TGT1518	Anti-Reverse Ratchet	TGT1549	Spool
TGT0875	Washer	TGT1519	Screw	TGT1609	Handle
TGT0880	Washer	TGT1520	Cooling Shield	TGT1610	Drag Control Lever
TGT0890	Waterproof Ring	TGT1521	Pinion Guard	TGT1612	Drive Gear
TGT0902	Cross Pin	TGT1522	Drag Plate	TGT1613	Drive Shaft
TGT1482	Ball Bearing	TGT1523	Seal Lock	TGT1614	Pinion Gear
TGT1483	Pre-Program Dial	TGT1524	Drag Washer	TGT1618	Spool Shaft
TGT1484	Click Spring	TGT1525	Ball Bearing	TGT1619	One-Piece Frame
TGT1485	Click Pin	TGT1526	Washer	TGT2011	Right Side Plate
TGT1486	O Ring	TGT1527	Pressure Release Spring		
TGT1487	Lever Shaft Body	TGT1530	C Lock	TGT0413	Rod Clamp Bolt (accessory)
TGT1489	Lever Click Shoe	TGT1531	Ball Bearing	TGT0749	Rod Clamp Nut (accessory)
TGT1490	Lever Click	TGT1532	Washer	TGT0751	Rod Clamp Bolt (accessory)
TGT1491	Lever Thrust Ring	TGT1533	Coned Disc Spring	TGT1545	Rod Clamp Nut (accessory)
TGT1492	Washer	TGT1534	Click Gear	TGT1546	Rod Clamp (accessory)
TGT1493	Lever Click Gear	TGT1535	Screw		
TGT1494	Screw	TGT1536	Click Spring	TGT1636	Wrench (accessory)
TGT1495	Bolt Shield	TGT1537	C Lock		
TGT1497	Washer	TGT1538	Washer	TGT1617	Lever Shaft Body (SFS) (accessory)